

## 4.5 cu. ft. Top Load Washer

- 4.5 cu. ft. Capacity
- TurboDrum™ Technology
- 8 Cycles / 9 Options
- ColdWash™ Option
- 6Motion™ Technology
- Water Plus Option
- Direct Drive Motor (10-Year Limited Warranty)
- Stainless Steel Tub
- SmartDiagnosis™



### COLOR AVAILABILITY

- WT7000CW – White

### CAPACITY & MATCHING DRYERS

|                         |          |
|-------------------------|----------|
| Capacity (cu. ft.)      | 4.5      |
| Matching Electric Dryer | DLE7000W |
| Matching Gas Dryer      | DLG7001W |

### APPEARANCE

|                                      |     |
|--------------------------------------|-----|
| Electronic Controls with LED Display | Yes |
| Touch Buttons                        | Yes |
| Dial-A-Cycle™                        | Yes |

### ENERGY & WATER

|  |      |
|--|------|
| ENERGY STAR® Qualified                   | No   |
| CEE Qualified                            | No   |
| Integrated Modified Energy Factor (IMEF) | 1.57 |
| Integrated Water Factor (IWF)            | 6.5  |

### WASH CYCLES

|                  |  |
|------------------|--|
| Number of Cycles | 8  |
| Wash Cycles      | Normal, Heavy Duty, Deep Wash, Waterproof, Bedding, Delicates, Speed Wash, Tub Clean |

### WASH OPTIONS

|                   |   |
|-------------------|---|
| Number of Options | 9   |
| Options           | ColdWash™, Signal, Delay Wash, Rinse+Spin, Water Plus, Soak, Extra Rinse, Control Lock, Spin Only |

### WASH DETAILS

|                              |                   |
|------------------------------|-------------------|
| Internal Heater              | No                |
| Number of Wash / Rinse Temps | 3                 |
| Wash / Rinse Temps           | Hot, Warm, Cold   |
| Number of Spin Speeds        | 3                 |
| Spin Speeds                  | High, Medium, Low |
| Max RPM                      | 800               |
| Water Levels                 | Load Sensing      |
| Number of Soil Levels        | 3                 |
| AAFA Certified               | No                |

### FABRIC CARE

|                              |            |
|------------------------------|------------|
| Wash Technology              | TurboDrum™ |
| Steam Technology             | No         |
| SmartRinse™ Jet Spray System | No         |
| ColdWash™ Option             | Yes        |

### CONVENIENCE

|                                    |   |
|------------------------------------|---|
| SlamProof™ Lid                     | Yes   |
| TrueBalance™ Anti-Vibration System | Yes   |
| Dispenser Type                     | 3-Tray (Main Wash with Liquid Detergent Cup, Bleach, Fabric Softener) |
| LoDecibel™ Quiet Operation         | Yes   |
| End of Cycle Signal                | Yes   |
| LoadSense                          | Yes   |
| Child Lock                         | Yes   |
| Auto Suds Removal                  | Yes   |
| 4 Adjustable Leveling Legs         | Yes   |
| Status Indicator(s)                | Yes   |
| Add Garment Indicator              | Yes   |
| Forced Drain System                | Yes   |
| ADA Compliant                      | No  |

### SMART FEATURES

|                 |     |
|-----------------|-----|
| Wi-Fi Enabled   | No  |
| ThinQ®          | No  |
| SmartDiagnosis™ | Yes |

### MOTOR AND AGITATOR

|            |                             |
|------------|-----------------------------|
| Motor Type | Inverter Direct Drive Motor |
| Axis       | Vertical                    |
| Wash Type  | Wash Plate                  |

### MATERIALS AND FINISHES

|                        |                   |
|------------------------|-------------------|
| Drum Material / Finish | Stainless Steel   |
| Washplate              | Yes               |
| Lid                    | Transparent Glass |

### TECHNICAL SPECS

|                            |                                 |
|----------------------------|---------------------------------|
| Electrical Requirements    | 120V @ 60Hz                     |
| Type                       | Electric                        |
| Power Outlet Location      | Within 60" of Either Side       |
| Plug Type                  | 3-Prong (Cord Attached to Unit) |
| Min. / Max. Water Pressure | 20 - 120 psi                    |

### INCLUDED ACCESSORIES

Tie Strap

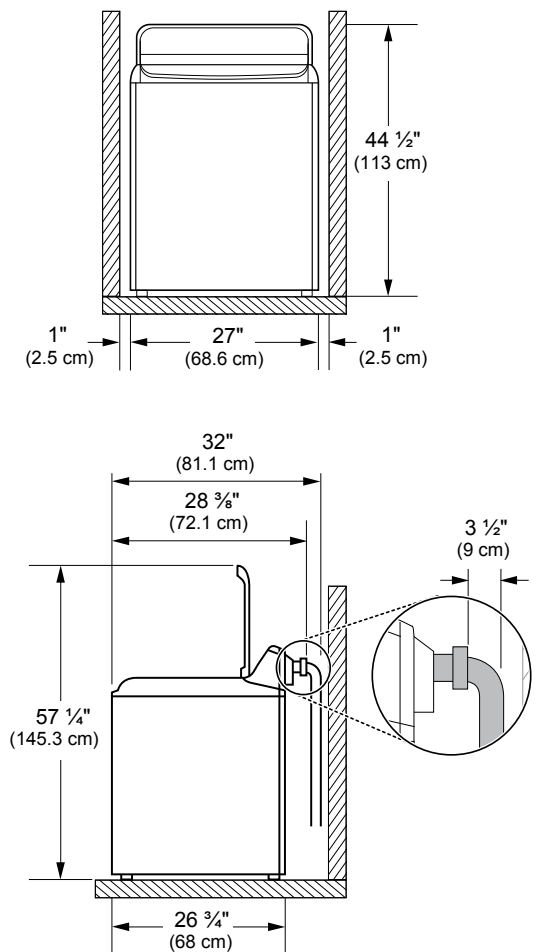
### DIMENSIONS

|                               |                               |
|-------------------------------|-------------------------------|
| Product (W x H x D)           | 27" x 44 1/2" x 28 3/8"       |
| Height with Lid Open          | 57 1/4"                       |
| Cutout Dimensions (W x H x D) | 29" x 58" x 32 3/8"           |
| Carton Dimensions (W x H x D) | 29 19/32" x 46 3/8" x 31 3/8" |
| Weight (Product / Carton)     | 127.9 lbs. / 147 lbs.         |

### LIMITED WARRANTY

|                    |                       |
|--------------------|-----------------------|
| Parts and Labor    | 1 Year                |
| Direct Drive Motor | 10 Years (Parts Only) |
| Drum               | 3 Years (Parts Only)  |

### DIMENSIONS / CLEARANCES



Minimum vertical space from floor to overhead shelves, cabinets, ceilings, etc., is 58 inches (147 cm).

### INSTALLATION NOTES

- To ensure sufficient clearance for water lines, the drain line and airflow, allow minimum clearances of at least 1 inch (2.5 cm) at the sides and 4 inches (10 cm) behind the unit. Be sure to allow for wall, door, or floor moldings that may increase the required clearances.
- Install the washer on a solid floor that is strong and rigid enough to support the weight of the washer, even when fully loaded, without flexing or bouncing. If the floor has too much flex, you may need to reinforce it to make it more rigid. If the floor is not solid, it may cause severe vibration and noise.